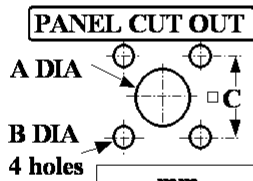
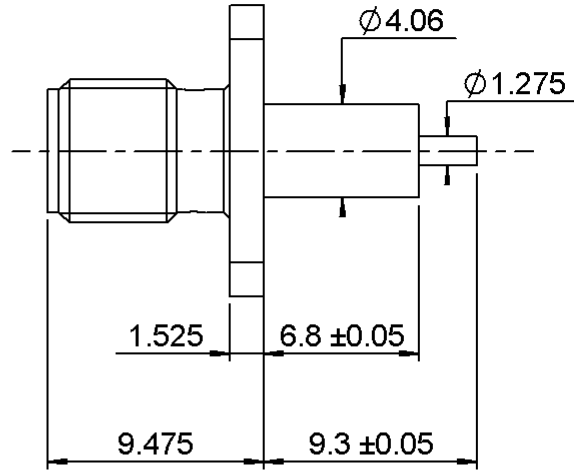
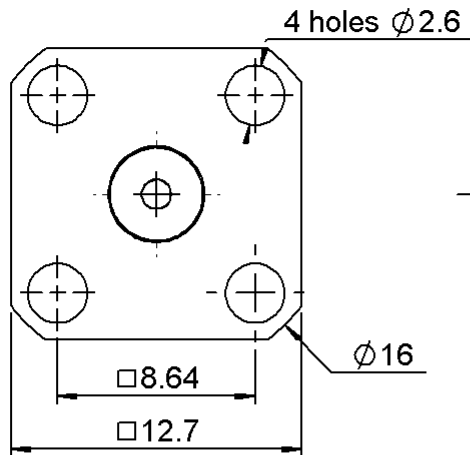


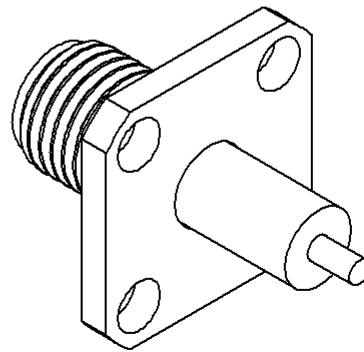
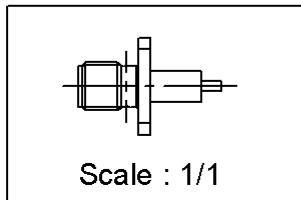
**SQUARE FLANGE RECEPTACLE**

**R125.415.091**

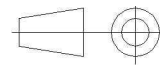
Series : SMA-X



mm		
	Maxi	mini
A	4.2	4.1
B	2.7	2.6
C	8.69	8.59



All dimensions are in mm.



COMPONENTS	MATERIALS	PLATINGS (µm)
BODY	-	PASSIVATED
CENTER CONTACT	BERYLLIUM COPPER	.GOLD 1.3 OVER NICKEL 2
OUTER CONTACT	-	-
INSULATOR	PTFE	-
GASKET	-	-
OTHERS PARTS	-	-
-	-	-
-	-	-

Issue : 0432 B

In the effort to improve our products, we reserve the right to make changes judged to be necessary.



**SQUARE FLANGE RECEPTACLE**

**R125.415.091**

Series : SMA-X

**PACKAGING**

**SPECIFICATION**

Standard	Unit	Other
<b>100</b>	-	<b>Contact us</b>

**ELECTRICAL CHARACTERISTICS**

**ENVIRONMENTAL**

Impedance	<b>50</b>	$\Omega$
Frequency	<b>0-18</b>	GHz
VSWR	<b>1.05 + 0,0030</b>	x F(GHz) Maxi
Insertion loss	<b>0.07*</b>	$\sqrt{F(GHz)}$ dB Maxi
RF leakage	- ( <b>NA</b> )	- F(GHz)) dB Maxi
Voltage rating	<b>500</b>	Veff Maxi
Dielectric withstanding voltage	<b>1000</b>	Veff mini
Insulation resistance	<b>5000</b>	M $\Omega$ mini

Operating temperature	<b>-65/+105</b>	$^{\circ}$ C
Hermetic seal	<b>NA</b>	Atm.cm <sup>3</sup> /s
Panel leakage	<b>NA</b>	

**OTHERS CHARACTERISTICS**

Assembly instruction **NA**

Others :

\* Coaxial Transmission Line Only

**MECHANICAL CHARACTERISTICS**

Center contact retention		
Axial force – Mating end	<b>27</b>	N mini
Axial force – Opposite end	<b>27</b>	N mini
Torque	<b>2.8</b>	N.cm mini
Recommended torque		
Mating	<b>NA</b>	N.cm
Panel nut	<b>NA</b>	N.cm
Mating life	<b>500</b>	Cycles mini
Weight	<b>2,8140</b>	g

Issue : 0432 B

In the effort to improve our products, we reserve the right to make changes judged to be necessary.



**RADIALL**®